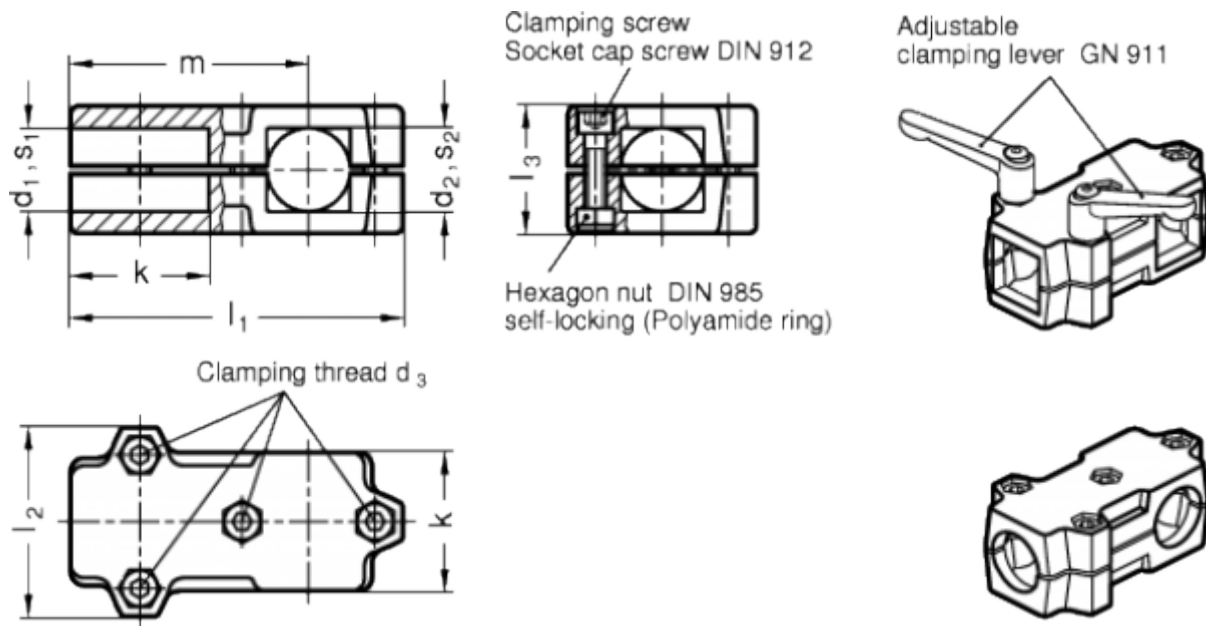


Article number: 20193V25B25502SW  
 Description: E+G T-angel clamp  
 GN 193-V25-B25-50-2-SW

## Measures



|                            |               |       |
|----------------------------|---------------|-------|
| Accessories = GN 911-M8-40 | m             | = -   |
| d1 = -                     | s1            | = 25  |
| d2 = 25                    | s2            | = -   |
| d3 = M8                    | Weight in (g) | = 430 |
| k = 50                     |               |       |
| l1 = 120                   |               |       |
| l2 = 68                    |               |       |
| l3 = 46                    |               |       |